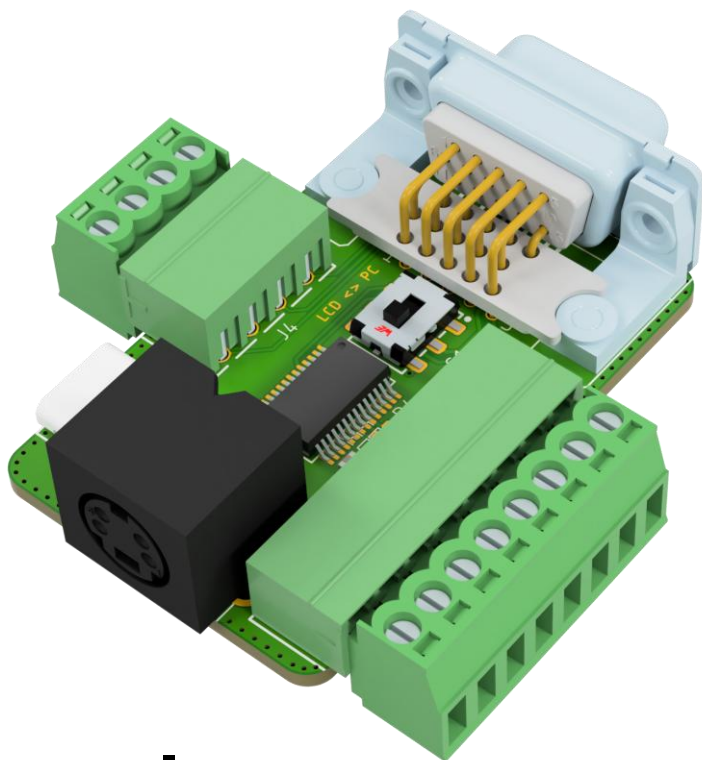


V1.0

# KU UIB – C

## User Interface Adapter Board C



# Manual

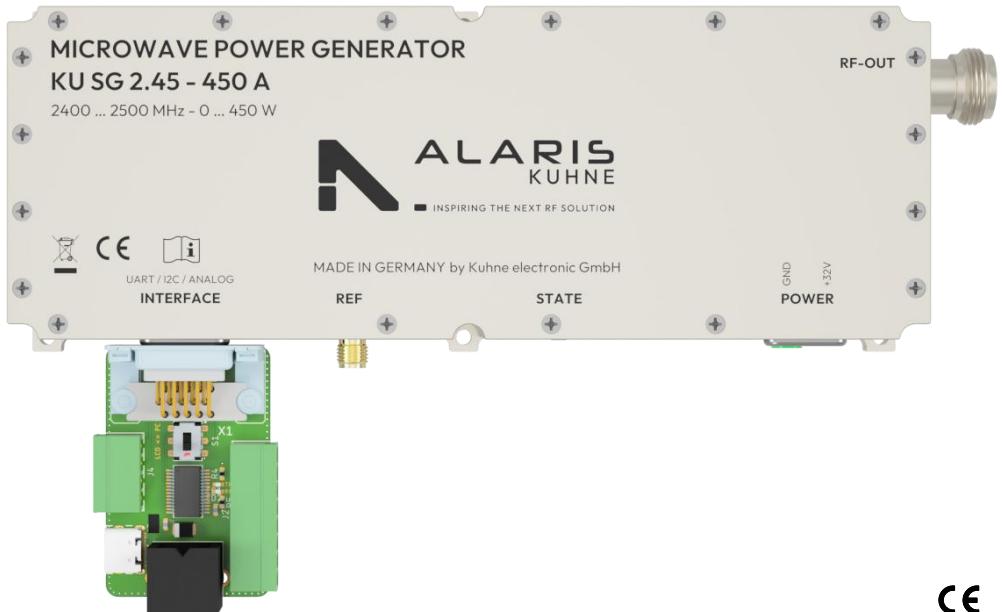
## Specification

Connection:	miniDIN for Display USB-C for PC 4 Pin Connector 8 Pin Connector
Operating temperatur:	-20 °C ... 70 °C
Dimensions:	54 x 65 x 16 mm
Weight:	15 g
Supported devices:	KU SG 2.45 - 450 A

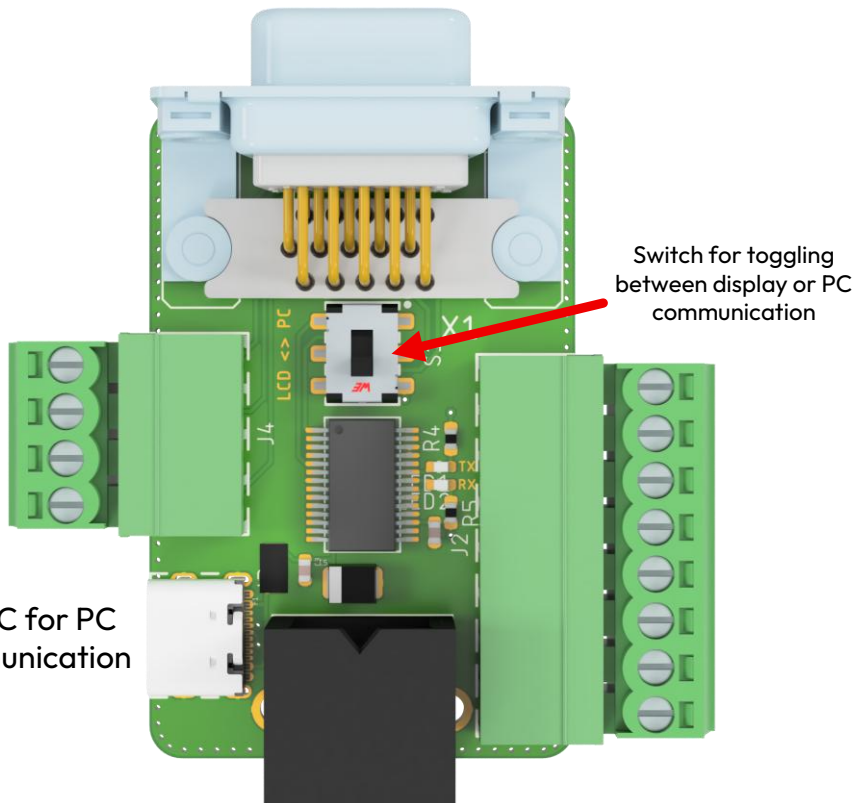
This User Interface Adapter Board is designed to connect our KU EDPU 5.0 easily to our KU SG 2.45-450 A microwave power generator.

**! Please notice support page to check software compatibility !**

The adapter can be connected directly to the generator.



Connection to the  
 KU SG 2.45 - 450A



Connection to the  
 KU EDPU - 5.0  
 display \*

\* For further information on the display and its operation, please refer to the display manual.

The connection terminals are described on the back of the PCB. For further information, see the manual for the KU SG 2.45 - 450A.

